
ALPHA WIRE COMPANY
CUSTOMER PRODUCT SPECIFICATION

Part Number: 505B
Page 1 of 2 Pages

Issue: 3
Issue Date: 12/22/2005
Effective Date: 12/30/2005

A. Cordage Construction

- 1) Conductor
 - a) Material Bare Copper, per ASTM B-3
 - b) AWG, Stranding 14 (41/30) AWG; Finer stranding may be used.
- 2) Insulation
 - a) Material PVC
 - b) Nominal Diameter 0.133
- 3) Core Assembly
 - a) Number of Conductors 3
 - b) Color Code Blue, Brown & Green/Yellow. The insulation colors are to be readily distinguishable from one another and consistent over their length and circumference.
[Note: The stripe of the Green/Yellow insulation shall be 50% +/- 20%.]
 - c) Fillers Optional
 - d) Separator Tissue Paper
- 4) Jacket
 - a) Material PVC
 - b) Surface Finish Smooth, non-striated
 - c) Nominal Diameter 0.380
 - d) Color Black
 - e) UL, CSA Type SJT, Minimum**
 - f) Jacket Marking Per UL Standard 62 and CSA C22.2 No. 49.

** Cordage Types with a UL/CSA rating greater than Type SJT may be substituted.

B. Cord Configuration

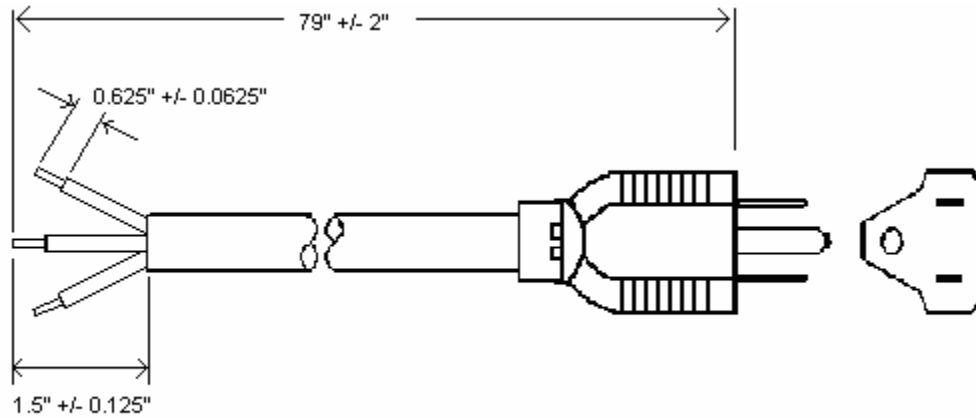
- 1) End 1 Molded Vinyl Grounding Plug, NEMA 5-15P
- 2) End 2 Jacket Stripped 1.5" +/- .125"
Insulation Stripped 0.625" +/- 0.0625"
- 3) Mold Color Black
- 4) Overall Length 79" +/- 2"

Although Alpha Wire Company ("Alpha") makes every reasonable effort to ensure their accuracy at the time of this publication, information and specifications described herein are subject to error or omission and to change without notice, and the listing of such information and specifications does not ensure product availability.
Alpha provides the information and specifications herein on an "AS IS" basis, with no representations or warranties, whether express, statutory or implied. In no event will Alpha be liable for any damages (including consequential, indirect, incidental, special, punitive, or exemplary damages) whatsoever, even if Alpha has been advised of the possibility of such damages, whether in an action under contract, negligence or any other theory, arising out of or in connection with the use, or inability to use, the information or specifications described herein.

ALPHA WIRE COMPANY
CUSTOMER PRODUCT SPECIFICATION

Part Number: 505B
Page 2 of 2 Pages

Issue: 3
Issue Date: 12/22/2005
Effective Date: 12/30/2005



C. Industry Approvals and Ratings

- | | |
|-----------------------|---------------------------------------|
| 1) UL | UL Standards 62 & 817 |
| 2) CSA | CSA Standards C22.2 No. 21 and No. 49 |
| 3) Cord Set Rating | 1875 Watts 15A-125V |
| 4) Temperature Rating | 60°C, Minimum |

D. Packaging

- | | |
|---------------------|------------------------------|
| 1) Standard Package | 100 Pieces, placed in Carton |
|---------------------|------------------------------|

Although Alpha Wire Company ("Alpha") makes every reasonable effort to ensure their accuracy at the time of this publication, information and specifications described herein are subject to error or omission and to change without notice, and the listing of such information and specifications does not ensure product availability. Alpha provides the information and specifications herein on an "AS IS" basis, with no representations or warranties, whether express, statutory or implied. In no event will Alpha be liable for any damages (including consequential, indirect, incidental, special, punitive, or exemplary damages) whatsoever, even if Alpha has been advised of the possibility of such damages, whether in an action under contract, negligence or any other theory, arising out of or in connection with the use, or inability to use, the information or specifications described herein.